

AOF1010 Ultrasonic Oxygen Sensor



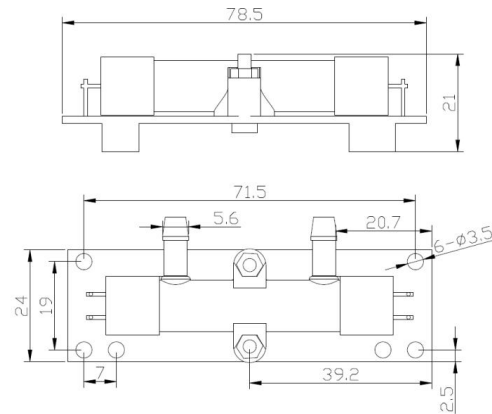
1. Product Summary

AOF1010 ultrasonic oxygen sensor is an ideal economic and practical oxygen concentration detection module based on ultrasonic principle. It has advantages such as high precision, cost-effective, high reliability and simple to use. Besides, it can measure concentration, flow and temperature simultaneously. It can be widely used in agriculture, industry, commerce, environmental testing, especially in the oxygen generator industry.

2. Key Features

- ◆ Ultrasonic principle
- ◆ High precision and long service life
- ◆ Strong anti-interference ability
- ◆ Detect concentration and flow rate simultaneously
- ◆ Small size, easy for installation and simple to use
- ◆ No verification needed

3. Dimension



Unit: mm

4. Technical Parameters

Working voltage	5V
Preheating time	10s
Concentration range	21%~95.6%
Concentration accuracy	±1.8%F.S.
Concentration resolution	0.1%
Flow range	0~10L/min
Flow resolution	0.1L/min
Flow accuracy	±0.2L/min
Detection period	500ms
Communication mode	UART/9600bps
Oxygen requirements	Without corrosion, Without condensation
Working temperature	5~55°C

5. Applications

AOF1010 can accurately measure concentration and flow rate of Oxygen. It can be widely used in medical treatment, health care, chemical industry, mining, food and other industries.



Guangzhou Aosong Electronic Co., Ltd.

Add: No.17, Yunjun Road, Huangpu District, Guangzhou, China
 Tel: +86 18122702030 Fax: +86 20-89852796
 Email: inquiry@aosong.com
 Web: www.aosong.com/en, www.asairsensors.com